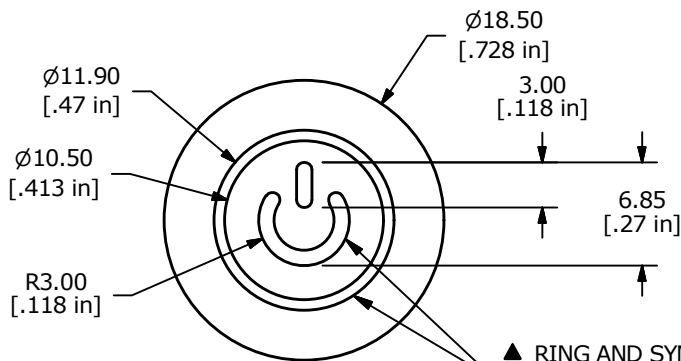
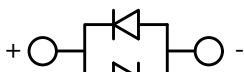
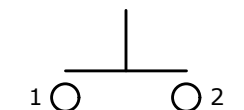


RECOMMENDED
PANEL CUT-OUT



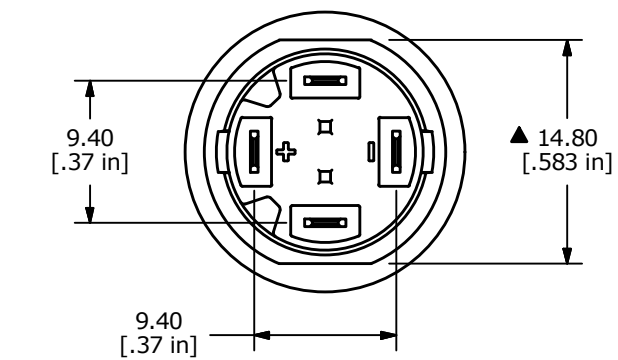
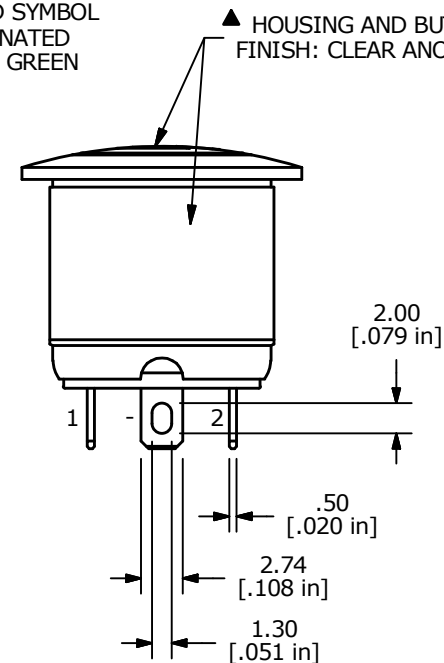
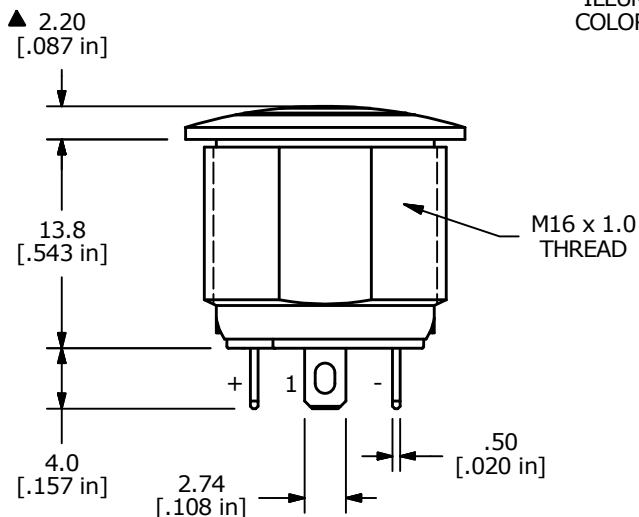
▲ RING AND SYMBOL
ILLUMINATED
COLOR: GREEN

▲ HOUSING AND BUTTON
FINISH: CLEAR ANODIZED



▲ SCHEMATIC
OFF - (ON)

() DENOTES MOMENTARY FUNCTION



NOTE:

1. ALL DIMENSIONS IN MM [INCH]
2. GENERAL TOLERANCE: X.X = ±0.4
X.XX = ±0.25
3. TERMINAL NUMBERS FOR REF ONLY
4. CONTACT MATERIAL: SILVER PLATED
5. RATING: 2A 36VDC
6. ELECTRIC LIFE: 200,000
7. INSULATION RESISTANCE: 1,000MΩ MIN @ 500VDC.
8. DIELECTRIC STRENGTH: 2,000VAC MIN. FOR 1 MINUTE
9. CONTACT RESISTANCE: 50mΩ MAX. @ 1A 12VDC
10. OPERATING TEMP.: -20°C to 70°C
11. TRAVEL: 2.0mm
12. ▲ DENOTES CRITICAL PARAMETER.
13. ILLUMINATION COLOR: GREEN
14. HARDWARE SUPPLIED: O-RING AND HEXNUT (NOT SHOWN)
- ▲ 15. ILLUMINATION VOLTAGE RATING: 2.8 - 3.7V @ 20 mA
16. 2011/65/EC (ROHS) COMPLIANT
17. INGRESS PROTECTION: IP67



B	22631	update Note 15	12/21/16	MW
A	22517	New Release	9/21/16	rc
REV	PCR NO	DESCRIPTION	DATE	BY

TITLE PVA6RP24231				
SCALE 2:1	DATE 9/20/2016	DR rc	DWG T960002	REV B

THE INFORMATION CONTAINED IN THIS DOCUMENT IS PROPRIETARY TO E-SWITCH AND IS NOT TO BE COPIED OR TRANSFERRED